

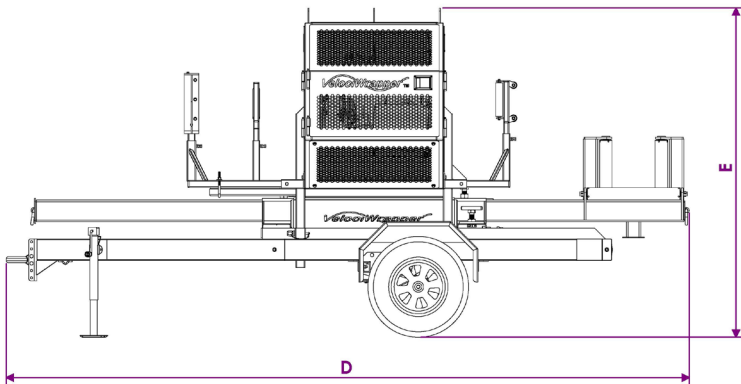
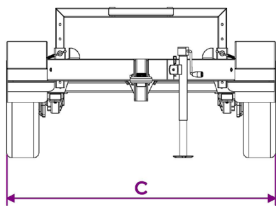
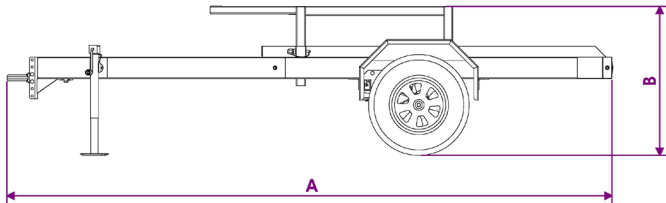


Trailer

General Specifications:

| | |
|----------------|-----------------------|
| Weight Empty: | 1,200 lbs (544 kgs) |
| Weight Loaded: | 3,200 lbs (1,451 kgs) |
| Weight Rating: | 3,500 lbs (1,588 kgs) |
| Wheel Lugs: | 6 |
| Color: | Graphite/Yellow |

Physical Dimensions:



| | |
|------------------------------|----------------|
| (A) - Length Empty: | 14'-0" |
| (B) - Height Empty: | 2'-9" to 4'-1" |
| (C) - Width: | 6'-2" |
| (D) - Length with Fairlead: | 15'-10" |
| (E) - Transportation Height: | 7'-7" |

Configurations:

VelociWrapper® and Fairlead shown for reference and are purchased separately.

Empty



Operation



Transportation



Trailer Features:

- Small, rugged design
- 3,500 lb heavy duty axle-less suspension system
- Large, wide tires for better flotation when operating on soft ground
- Adjustable reinforced VelociWrapper® mount frame to match reel trailer height
- Adjustable channel hitch to accommodate either ball or pintle style hitches
- Designed to transport the VelociWrapper® cable wrapper and Fairlead in a complete package, perfect for rental companies
- Dedicated Fairlead tie-downs for transportation
- Heavy grating deck floor